



PART NUMBER 0405L-11A
 ITEM NAME 405 NM LASER

PRODUCT DATASHEET



DESCRIPTION

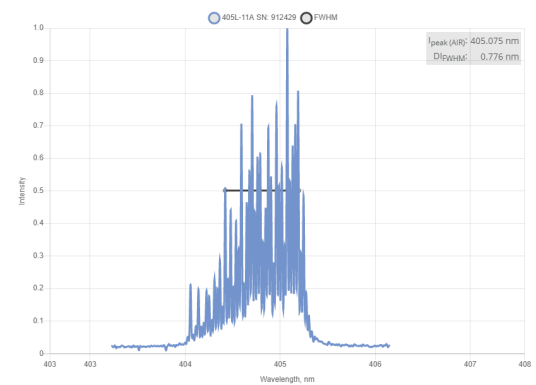
405 nm diode lasers are popular in a variety of fluorescence applications. Many organic materials have strong fluorescence at this excitation wavelength. Other applications include UV curing and inspection. 405 nm radiation became particularly popular due to the fact these diodes are used in Blu-ray optical disc equipment thus, they are inexpensive. Integrated precision driver electronics ensures low-noise and very stable operation throughout the wide temperature range. Internal voltage conversion allows using a 5V power supply while maintaining low noise operation.



Specifications updated: 24 February 2025

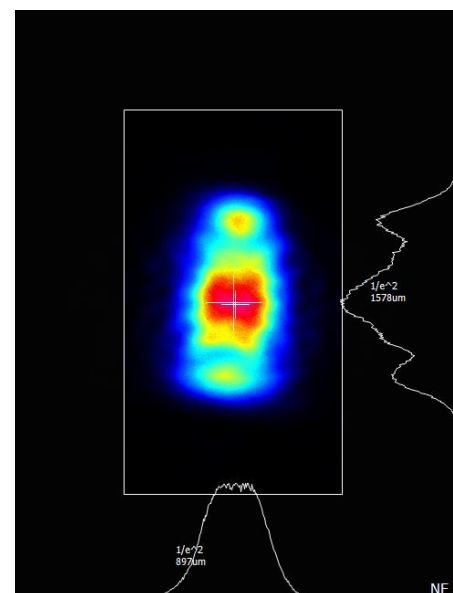
TYPICAL SPECTRUM

Parameter	Minimum Value	Typical Value	Maximum Value
Central wavelength, nm	400	405	410
Spectral line width FWHM, nm	0.01	0.5	1
Output power, mW	-	180 ¹	-
Power stability, % (RMS, 8 hrs)	0.02	0.1 ²	0.5
Power stability, % (peak-to-peak, 8 hrs)	0.1	0.5 ³	3
Intensity noise, % (RMS, 20 Hz to 20 MHz)	0.05	0.15 ⁴	0.6
Longitudinal modes	-	Multiple	-
Transversal modes	-	TEM00	-
Beam width (1/e ²), mm	-	0.9 ⁵	1.4
Beam height (1/e ²), mm	-	1.3	1.7
Horizontal beam divergence, mrad	-	0.9	1.5
Vertical beam divergence, mrad	-	0.5	1
M ² horizontal axis	-	1.2	1.4
M ² vertical axis	-	1.3	2.0
M ² effective	-	1.3	1.6
Polarization direction	-	Horizontal ⁶	-
Polarization contrast	1000	2000	-
Control interface type	-	UART ⁷	-
Operation mode	-	APC (CW) ⁸	-
Modulation bandwidth, MHz	-	10 ⁹	-
Input voltage, VDC	4.8	5	5.3
Input current, A	-	1.5	-



Typical spectrum of 0405 nm diode laser. Measured with 10 pm resolution.

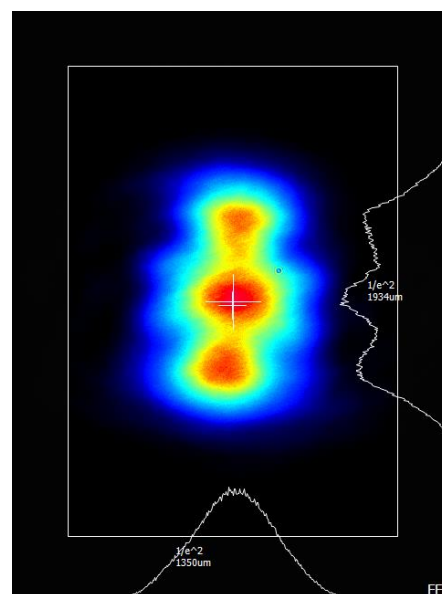
TYPICAL NEAR FIELD



Typical near field (0.45 m from output aperture) beam profile. Non-circularized beam of a 0405 nm direct diode laser.

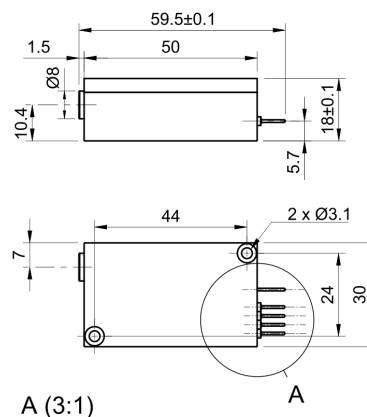
Max. power consumption, W	0.4	2	10
Heat-sinking requirement, °C/W	-	1	-
Optimum heatsink temperature, °C	15	20	30
Warm up time, mins (cold start)	0.1	0.5	1
Temperature stabilization	-	Internal TEC	-
External fan control	-	TBD ¹⁰	-
Overheat protection	-	Yes	-
Storage temperature, °C (non-condensing)	-10	-	50
Beam height from the base, mm	9.9	10.4	10.9
Dimensions (WxDxH), mm	-	50 x 30 x 18 ¹¹	-
Net weight, kg	0.1	0.12	0.14
Laser safety class	-	3B	-
RoHS	-	Yes	-
CE compliance	-	- General Product Safety Directive (GPSD) 2001/95/EC - (EMC) Directive 2004/108/EC	-
OEM lasers are not compliant with	-	IEC60825-1:2014 (compliant using additional accessories)	-
Warranty, months (op. hrs)	-	14 (10000) ¹²	-
Country of origin	-	Lithuania	-

TYPICAL FAR FIELD



Typical far field (1 m from output aperture) beam profile. Non-circularized beam of a 0405 nm direct diode laser.

DRAWING



**MatchBox
Free-Space**

¹ The optical power can be tuned from virtually 0% to 100%. However, other specifications, such as central wavelength, power stability, noise, polarization ratio, beam shape, quality and circularity are not guaranteed at power levels other than factory preset power. Significantly worse power stability is to be expected at very low power levels, e.g. <3% from specified nominal power.

² The long term power test is carried out at constant laser body temperature (+/-0.1 °C) using an optical power meter with an input bandwidth of 10 Hz. The actual measurement rate has a period of about 20 seconds to 1 minute.

³ The long term power test is carried out at constant laser body temperature (+/-0.1 °C) using an optical power meter with an input bandwidth of 10 Hz. The actual measurement rate has a period of about 20 seconds to 1 minute.

⁴ Noise level is measured with a fast photodiode connected to an oscilloscope. The overall system bandwidth is from 2 kHz to 20 MHz.

⁵ Beam width and height are measured at 0.4 m from output aperture.

⁶ For lasers without integrated optical isolators.

⁷ Break-out-boxes AM-C8 and AM-C3 can be used for conversion of UART communication to either USB or RS232.

⁸ APC - Automatic Power Control.

⁹ TTL digital modulation up to 10 MHz in automatic current control (ACC) mode. TTL modulation speed in automatic power control (APC) is up to 1 kHz.

¹⁰ This function can be enabled in hardware only if the fast TTL modulation option is disabled. The customer must specify whether the fan control or TTL modulation is required before ordering the laser.

¹¹ Excluding control interface pins and an output window/fiber assembly.

¹² Whichever occurs first. The laser has an integrated operational hours counter.

Note: Product specifications are subject to change without prior notice to improve reliability, function or design or otherwise.