

# HARRIER 55x AF-ZOOM CAMERA

## LVDS / CVBS

### AS-CAM-55LHD-A

- 5MP, 1080p 30fps, 55x zoom block camera
- Full HD, LVDS and analog video output
- VISCA serial and Pelco – P/D camera control
- LVDS output compatible with Harrier camera interface boards

## FEATURES

---

- 1/2.8" 5MP Sony IMX335 CMOS sensor.
- 1080p 30/25 fps, 720p 30/25 fps.
- 55x Zoom & 32x Digital Zoom.
- Video Out: LVDS, CVBS.
- Wide Dynamic Range (WDR).
- Digital Noise Reduction.
- Privacy Mask Function and Intelligent Motion Detection.
- Day & Night mode - Infrared Cut filter Removal (ICR).
- High Light Compensation (HLC).
- Serial VISCA, Pelco - D/P Control Protocol.



**AS-CAM-55LHD-A**

## OVERVIEW

---

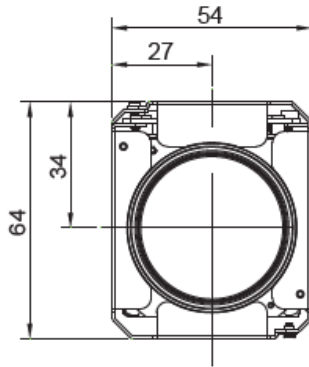
The **Harrier 55x AF-Zoom Camera** is a 2MP high resolution camera with a powerful 55x optical hybrid zoom. It provides Full HD video up to 1080p30 with LVDS video and simultaneous CVBS output. Serial VISCA or Pelco-D/P control protocols for camera control are supported.

Special features of this autofocus-zoom block camera include: Digital Noise Reduction (2D+3D), Privacy Mask Function, High Light Compensation, Intelligent Motion Detection, Defog Function and Day & Night mode (Infrared Cut filter Removal, ICR).

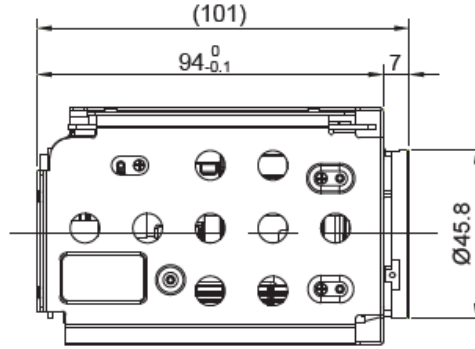
The Harrier 55x AF-Zoom Camera is compatible with all Harrier camera interface boards, which convert the camera LVDS output to video formats such as HD-SDI, HD-VLC, USB 3 (UVC) and HDMI. For more information, please contact Active Silicon.



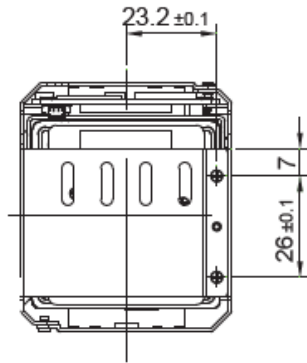
# DIMENSIONS



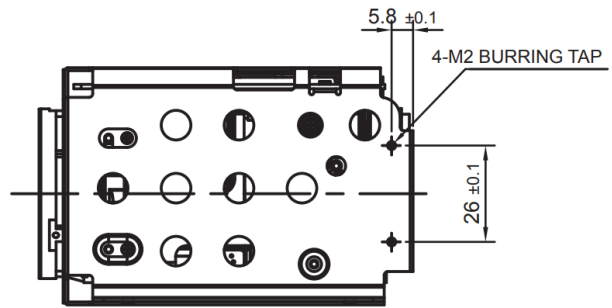
FRONT



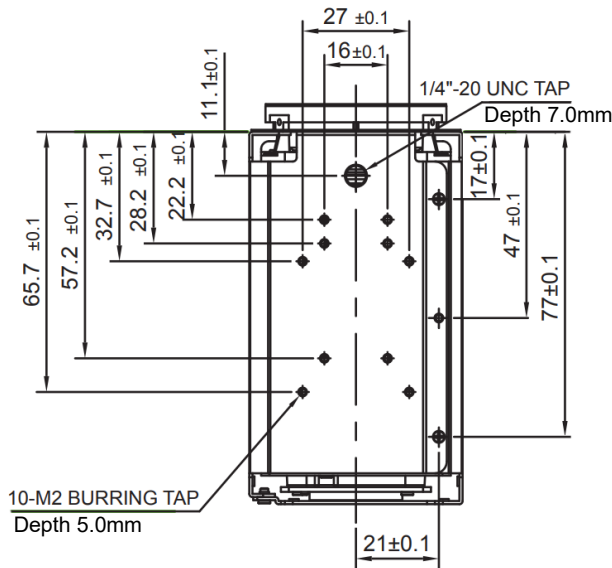
LEFT



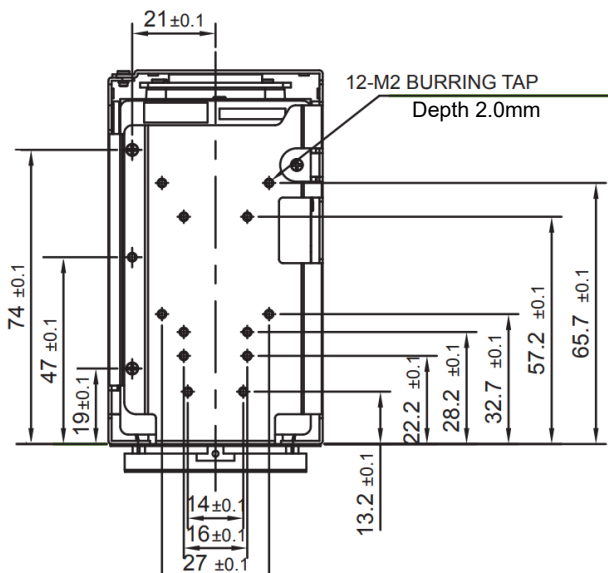
BACK



RIGHT



BOTTOM



TOP



<b>AS-CAM-55LHD-A</b>					
<b>Total Pixels</b>	2,704(H) x 2,104(V) = 5.69M pixels			<b>Active Pixels</b>	2,616(H) x 1,960(V) = 5.13M pixels
<b>Video Modes</b>	1080p 30/25 fps, 720p 30/25 fps			<b>Minimum Illumination</b>	Color(1/30s, 72.0dB) : 0.02 lux , Color DSS(1/1s, 72.0dB) : 0.002 lux
<b>S/N ratio</b> <sup>1</sup>	more than 50dB (AGC off)			<b>Focal length</b>	f = 4.25 mm ~ 234 mm
<b>Aperture</b>	F1.6 (wide) ~ F4.95 (tele)			<b>Exposure</b>	Auto/Iris Priority/Shutter Priority/Manual
<b>View Angle Wide/Tele</b>	69.3° (D)	62.13° (H)	37.44° (V)	<b>Shutter spd.</b>	1/1 ~ 1/100,000 sec
	1.48° (D)	1.29° (H)	0.73° (V)		
<b>Day &amp; Night</b>	Auto / Day / Night / Ext-in			<b>Brightness</b>	0-14 steps
<b>Minimum Distance</b>	0.1m - 10.0m (focus near limit range)			<b>White Bal</b>	Auto / One Push / Manual / Indoor / Outdoor / Auto-Ext
<b>Img. Comp.</b>	OFF / BLC / HLC <sup>2</sup>			<b>DSS</b> <sup>3</sup>	OFF / 2x / 4x / 8x / 16x / 32x
<b>Sharpness</b>	0 - 15 steps			<b>DNR</b> <sup>4</sup>	2D/3D, 2D + 3D (Level: 0-15 steps)
<b>Defog</b>	OFF / Manual / Auto			<b>Privacy</b>	Mask OFF / ON (8 masks)
<b>DWDR</b> <sup>5</sup>	OFF / Manual / Auto			<b>Motion</b>	Detection OFF / ON (4 regions)
<b>Control Protocol</b>	Serial VISCA Pelco D / P			<b>Baud Rate</b>	2400 / 4800 / 9600 / 19200 / 38400 / 57600 / 115200
<b>Voltage</b>	9 - 15V DC			<b>Power</b>	Max. 6.5W, Typical ~4W
<b>Storage</b>	-20°C - +60°C (Humidity: 0%RH - 90%RH)			<b>Operation</b>	-10°C - +50°C (Humidity: 0%RH - 90%RH)
<b>Dimensions</b>	101(L) x 54(W) x 64(H) mm			<b>Weight</b>	355g

1: Signal-to-Noise ratio, 2: Back- and High light Compensation, 3: Digital Slow Shutter, 4: Digital Noise Reduction, 5: Digital Wide Dynamic Range

## ORDERING INFORMATION

<b>PART NUMBER</b>	<b>DESCRIPTION</b>
<b>AS-CAM-55LHD-A</b>	Harrier 55x AF-Zoom Camera (LVDS/CVBS)
<b>AS-CIB-USBHDMI-002-55LHD-A</b>	Harrier 55x AF-Zoom USB/HDMI Camera
<b>AS-CIB-HDSDI-002-55LHD-A</b>	Harrier 55x AF-Zoom HD-SDI Camera
<b>AS-CIB-IP-00x-55LHD-A</b>	Harrier 55x AF-Zoom IP Camera; four variants including wireless and PoE options (x=1, 2, 3 or 4)



## CONTACT DETAILS

### Head Office:

Active Silicon Ltd  
1 Waterside Court, Waterside Drive,  
Langley, Berks, SL3 6EZ, UK.

Tel: +44 (0)1753 650600  
Email: [info@activesilicon.com](mailto:info@activesilicon.com)  
Website: [www.activesilicon.com](http://www.activesilicon.com)

### North America Office:

Active Silicon, Inc.  
479 Jumpers Hole Road, Suite 301,  
Severna Park, MD 21146, USA.

Tel: +1 410-696-7642  
Email: [sales.us@activesilicon.com](mailto:sales.us@activesilicon.com)  
Website: [www.activesilicon.com](http://www.activesilicon.com)

07-Nov-2025 CAM-40x-AFZ